

The Opti-strip is a unique stripping tool specifically designed to remove the secondary coating from optic fibres. It will handle leads of any length and is equally effective whether used on "loose" or "tight fit" fibres.

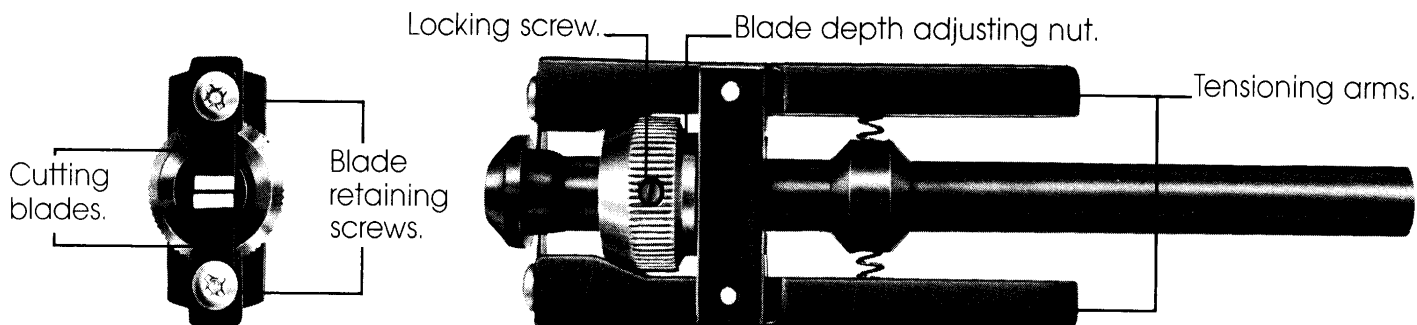
Damage to the optic core during the stripping operation is prevented by inserting the front and rear guide bushes (supplied). These ensure the exact location of the fibre optic in relation to the stripping blades and also eliminate the possibility of "sagging" during the stripping

The simple operating procedure involves fitting a pair of guide bushes for the selected lead diameter, adjusting blade cutting depth, inserting the lead, twisting the tool and pulling off the outer jacket. The stripped slug is cleared via the hollow spindle of the tool through the rear of the barrel.

The Opti-strip has an infinitely adjustable depth of cut from 0-3mm; it is light, accurate and easy to use, and comes complete in its own storage case which also contains a set of guide bushes and full

The Opti-strip comprises two blades mounted on spring-loaded tensioning arms which are in turn fixed on either side of a hollow spindle. The depth of cut is regulated by the conical adjusting nut situated behind the blades and allows infinitely variable blade penetration from 0-3mm. The adjuster is equipped with a retention screw so that once set the cutting

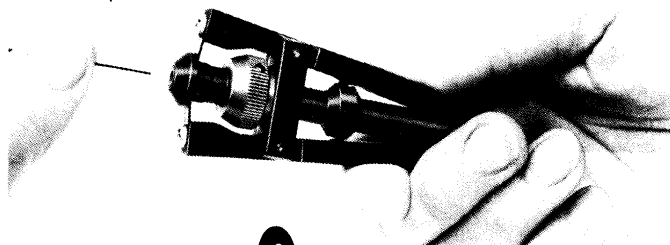
depth may be permanently locked in position. Provision is made for inserting a guide bush into the barrel of the tool directly behind the blades and one also immediately in front of the cutters. This ensures that the fibre optic lead is correctly held in position throughout the stripping operation.



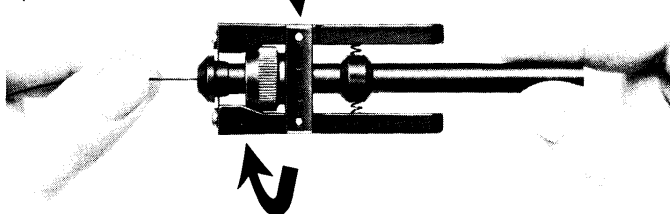
SETTING/OPERATION

- Select correct pair of guide bushes corresponding to lead diameter. Fit the internal guide bush by depressing the tensioning arms and inserting into the opening directly behind the cutting blades.
- Adjust approximate blade depth by turning the adjuster and observing the gap between the cutters; slip external guide bush over the blade assembly. Open the blades by depressing the tensioning arms, insert fibre optic lead, release tensioning arms and take a trial cut by spinning the tool handle. Remove the lead and inspect result.
- Make final adjustment to cutting depth and lock blade adjuster in position.
- To operate, simply depress tensioning arms, insert lead, release tension, spin tool handle and pull of the sheathing. The stripped slug is cleared via the hollow spindle of the tool through the rear of the barrel.

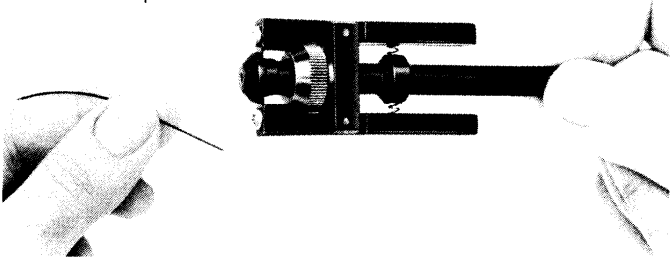
Insert optic lead.



Spin tool handle.



Remove optic lead.



Although the Opti-strip has been specifically designed to remove the secondary coating from fibre optic leads, it is ideal for stripping P.T.F.E. coated wires from 0.5-3mm O.D. The Opti-strip will remove any length of secondary coating from fibre optic leads; however, we recommend that for strip lengths longer than 25mm, the removal is done in stages.

Optics of 15 microns or less do not require rotation of the tool when stripping.

SPECIFICATIONS

CAPACITY: All fibre optic leads from 15-1000 microns. P.T.F.E. coated wires 0.5-3.0mm O.D.

WEIGHT: 20gms.

OVERALL DIMENSIONS: 108 × 29 × 13mm.

SPARES: Replacement set guide bushes Cat. No. 0680501.
Replacement pair cutting blades Cat. No. 0680402.